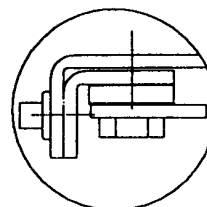
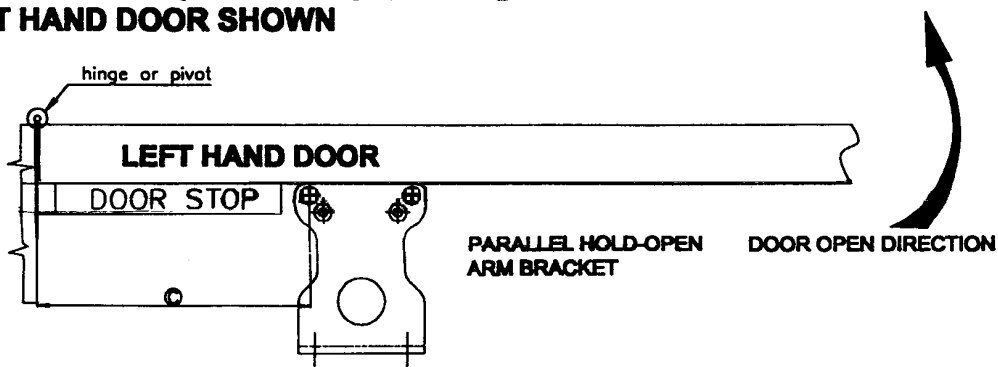


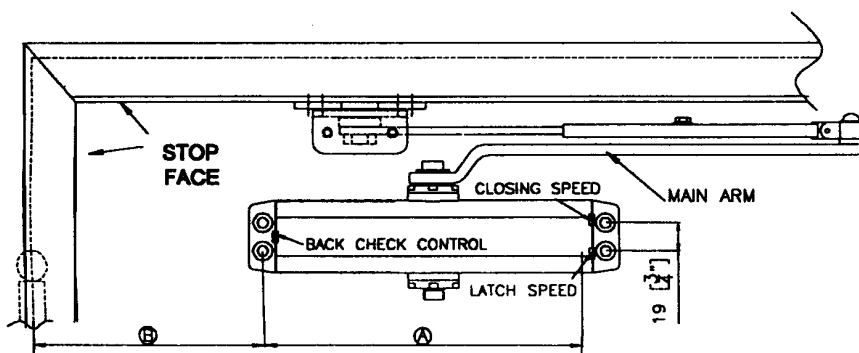
# INSTALLATION INSTRUCTIONS FOR PARALLEL HOLD-OPEN ARM

## PARALLEL ARM(PUSH SIDE) Mounting LEFT HAND DOOR SHOWN



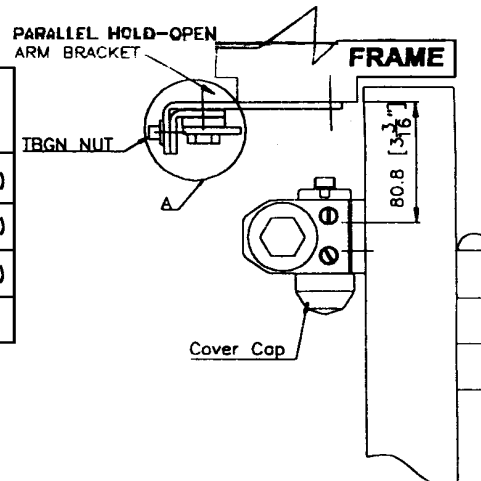
**DETAIL A**

Tighten hexagonal nut with door opened to desired degree.

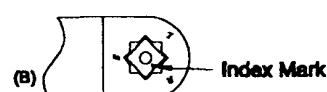
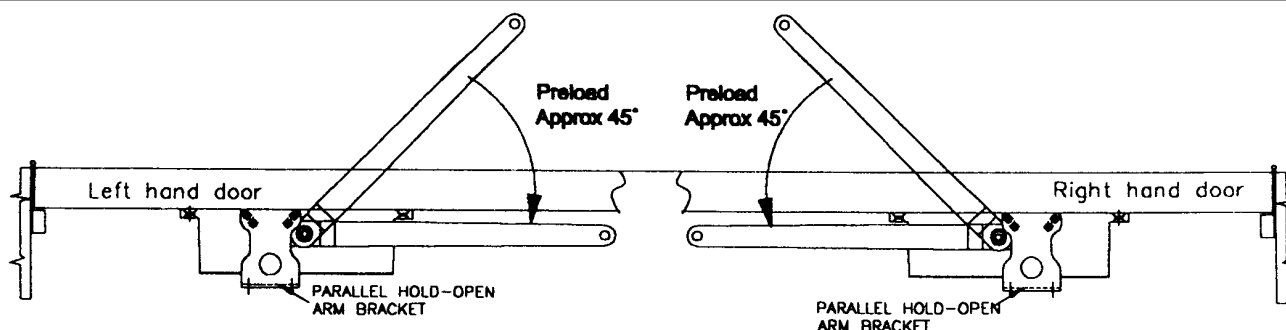


**Side Elevation**

Closer Size	A	B	C
DC52 & 53	208mm (8-3/16")	168mm (6-5/8")	185mm (7-5/16")
DC54 & 55	230mm (9-1/16")	157mm (6-3/16")	185mm (7-5/16")
PR80	230mm (9-1/16")	157mm (6-3/16")	185mm (7-5/16")
PR70	282.5mm (11-1/8")	66mm (2-5/8")	158mm (6-1/8")



- DIMENSIONS ARE IN mm(inch)
- DO NOT SCALE



**Top view Typical Installation**